



User Manual: BR Mk2 Coaches

PLEASE READ THIS INSTRUCTION SHEET CAREFULLY BEFORE USING YOUR MODEL

Thank you for purchasing this HELJAN Mk2 coach. This highly detailed 1:43.5 scale model contains a large number of individual parts and requires careful handling to avoid accidental damage. If handled and maintained correctly it will provide years of pleasure and reliable operation.

This model has been designed to operate comfortably on 32mm gauge 'O' track with a minimum curve radius of 800mm (31.5in), but due to its finescale wheel profile and drophead buckeye couplers, more satisfactory running can be achieved on wider radius curves.

The couplers provided can be used either lowered with a screw link coupling (as fitted to HELJAN locomotives and Mk 1 coaches) or in raised position with other Mk2 coaches fitted with compatible couplers.

Please ensure that wheels, bearings and axles are kept clean and lubricated. Always inspect before use to ensure that the wheels and axles are clear of accumulated debris and fluff.

This model has been designed for use with the HELJAN interior lighting bar, which can be installed by removing the roof and dropping the lighting bar into the slots provided. This system requires no internal wiring or pick-ups to collect current from the rails. See pages 2 and 3 for an exploded diagram of the model explaining where to fit the various additional parts supplied.

OPTIONAL DETAILING PARTS

Your HELJAN Mk2 coach is supplied with optional detailing parts, allowing you to tailor your model to the specific variant, livery and period you wish to depict.

Gangway Doors

Your model is supplied with a choice of either plain wooden gangway end doors (Mk2) or folding GRP style doors (Mk2a). To fit your preferred doors, simply position the gangway door part into the locating holes provided on the end of the body. Please see the exploded diagram on pages 2/3 for more information.

IMPORTANT NOTE: To remove the roof, carefully lever it away at the ends using a fingernail and it will release from the retaining magnets. To replace, simply align the magnets to secure the roof back in place.

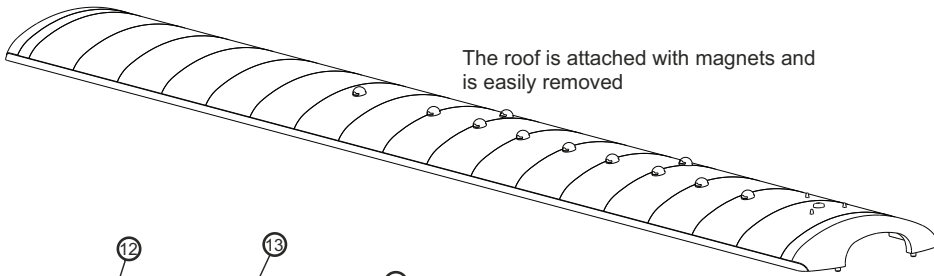
Underframe Parts

The correct arrangement of the underframe parts supplied depends on whether you are modelling a vacuum-braked Mk2 or air-braked Mk2a. The exploded diagram overleaf will assist in identifying and locating the correct braking equipment parts. For TSO and FK vehicles, factory-fitted Part 61 (see overleaf) can be removed from the underframe.

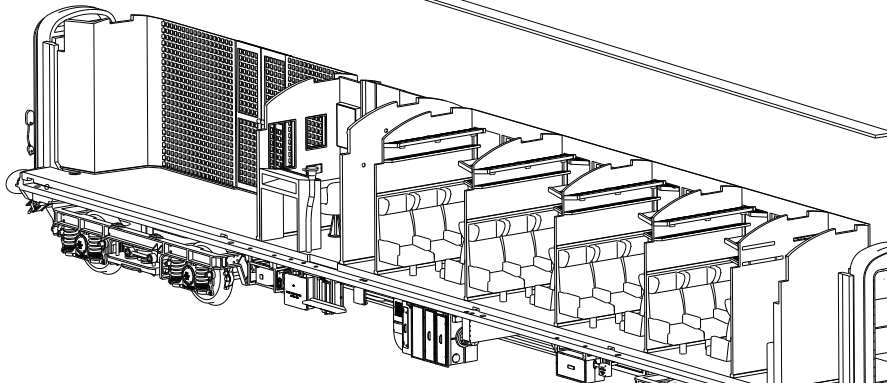
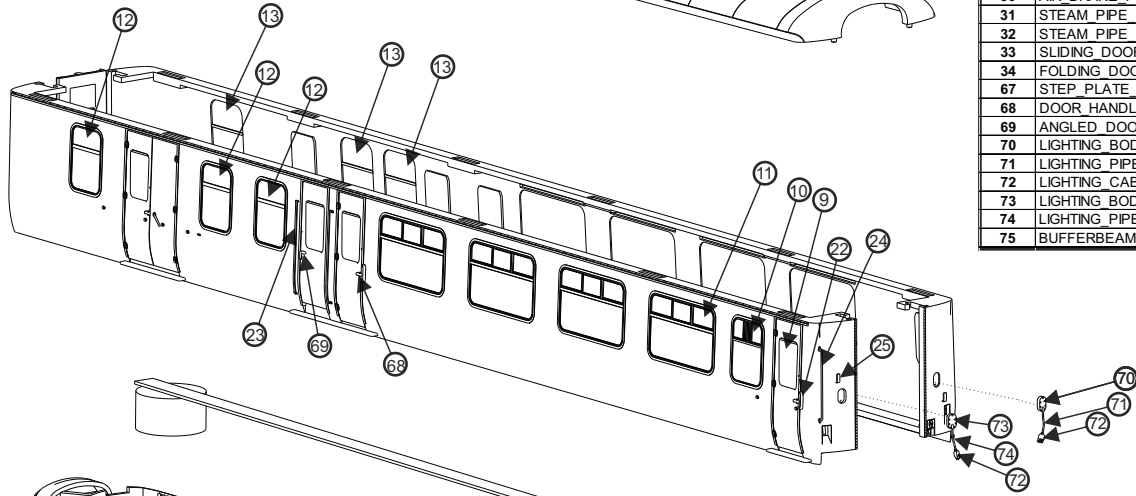
Mk2 BSO/BFK/TSO/FK

Illustrated model is a BFK

Part no.	Part Name	Quantity
9	DOOR WINDOW	8
10	TOILET WINDOW	2
11	LARGE WINDOW	16
12	SINGLE WINDOW NO INSIDE HANDLE	3
13	SINGLE WINDOW W INSIDE HANDLE	3
22	HANDLE VERTICAL MK2	6
23	FLAT DOOR HANDRAIL MK2	4
24	END HANDRAIL	2
25	LAMP BRACKET	4
26	ETH RECEPTACLE	2
27	VACUUM PIPE MK2	2
28	ETH RECEPTACLE	2
29	ETH CABLE	2
30	AIR BRAKE PIPE LEFT MK2A	4
31	STEAM PIPE SOCKET MK2	2
32	STEAM PIPE CABLE MK2	2
33	SLIDING DOOR MK2	2
34	FOLDING DOOR MK2A	2
67	STEP PLATE GANGWAY	2
68	DOOR HANDLE	6
69	ANGLED DOOR HANDLE	2
70	LIGHTING BODY PLATE	2
71	LIGHTING PIPE	2
72	LIGHTING CABLE SOCKET	4
73	LIGHTING BODY PLATE L	2
74	LIGHTING PIPE L	2
75	BUFFERBEAM STEP	2



The roof is attached with magnets and is easily removed

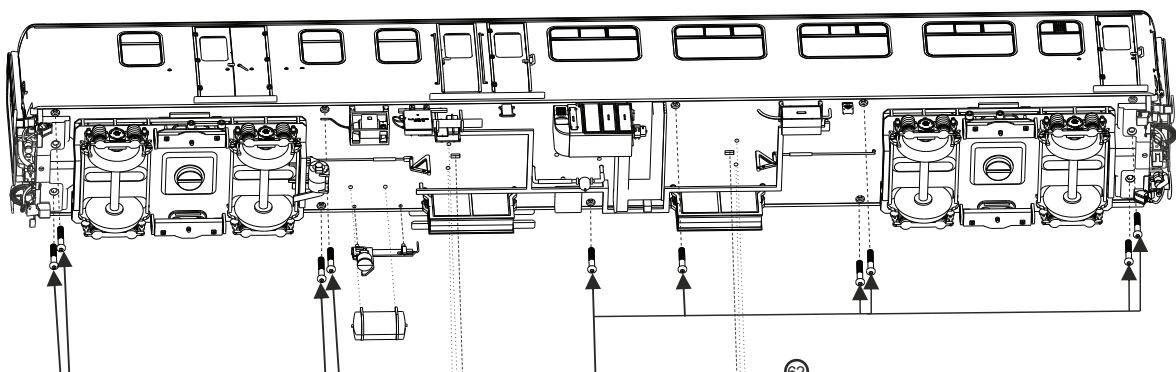
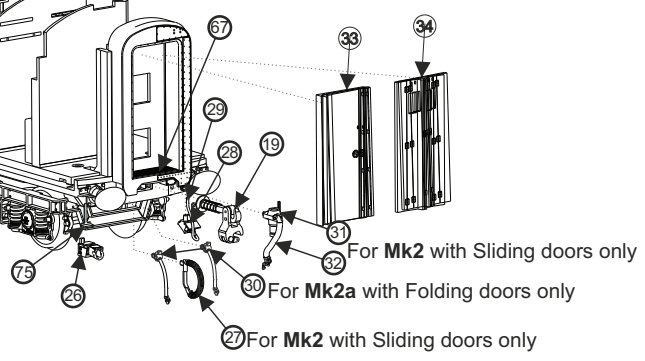


Light Bar NOT included
(Sold separately. Item no: 19853500)
To be placed in the recesses on top of the interior walls

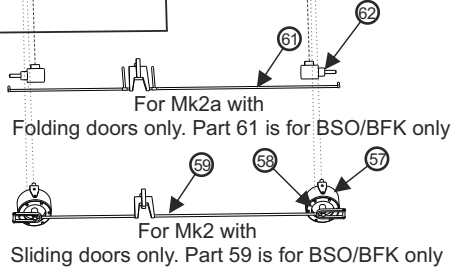
Liveries for **Mk2** vacuum braked vehicles:
* BR blue/grey, Network SouthEast,
Hebridean green/cream, Regional Railways
with ScotRail branding

Liveries for **Mk2a** air braked vehicles:
*BR blue/grey, Network SouthEast, Trans-Pennine,
Regional Railways, West Coast, DRS, InterCity, Network Rail.

NOTE: ScotRail TSO/FK #2401/2434 were built as **Mk2** but retrofitted with air brakes,
so require sliding end doors and air braked equipment.



Unscrew 10 screws, to remove bodysides:
5 screws for Front Body side.
5 screws for Back Body side.
Please note that once the screws are removed,
the Body Sides are removed outwards.



Parts marked **Mk2a** apply only to air braked vehicles

61	BRAKE_DETAIL1 MK2A	1
62	BRAKE_CYLINDER MK2A	2
57	VAC BRAKE CYLINDER MK2	2
58	VAC BRAKE CYLINDER_BOTTOM MK2	2
59	BRAKE_DETAIL1 MK2	1
54	AIR CYLINDER MK2A	1
55	AIR CYLINDER_HALF MK2A	1
76	AIR DISTRIBUTOR_GUARD MK2A	1
77	AIR DISTRIBUTOR_CYLINDER_F MK2A	1
78	AIR DISTRIBUTOR_CYLINDER_B MK2A	1

Type History: BR Mk2 & Mk2a

In the early 1960s, British Railways identified the need for a successor to its mass-produced Mk1 passenger coach. The Mk2 concept was developed at Swindon Works and a prototype batch of First Corridor (FK) vehicles was built in 1963. Unlike its predecessor, the Mk2 featured a monocoque body and B4 bogies capable of smooth riding at up to 100mph.

The first production vehicles appeared in 1965 carrying BR's new blue/grey corporate image. The Mk2z vehicles featured vacuum brakes and dual steam/electric heating. Tourist Second Open (TSO), Brake Second Open (BSO), Brake First Corridor (BFK) and First Corridor (FK) variants totalling 274 vehicles were built, most going to the London Midland Region.

In 1966, the design evolved into the air-braked Mk2a variant, with 289 vehicles being built for the Eastern, London Midland and Western Regions. This batch featured a number of other improvements, including the replacement of wood-panelled vestibules with more colourful plastic panels and folding gangway doors. Over the following decade, hundreds more Mk2 vehicles were built, gradually evolving through the Mk2b and Mk2c variants of 1968/69 without centre passenger doors and the air-conditioned Mk2d/e/f vehicles built between 1971 and 1975 .

HELJAN UK would like to thank Brian Daniels, Martyn Sanders, Barrow Hill Roundhouse, Mervyn Allcock, Robert Carroll and Andrew Donnelly for their invaluable assistance with this project.

SPARES/REPLACEMENT PARTS

For all enquiries related to spares or replacement parts for this model, please contact the HELJAN spares department at Gaugemaster Controls Ltd, Gaugemaster House, Ford Road, Arundel, West Sussex, BN18 0BN. Telephone 01903 884488, e-mail heljanuk@gaugemaster.com or visit the 24/7 online spares service at www.gaugemasterretail.com.

For specific part numbers, please see the diagram on page 4/5.

HELJAN UK

Gaugemaster Controls Ltd
Gaugemaster House, Ford Road, Arundel, West Sussex
BN18 0BN, United Kingdom
+44 (0) 1903 884 321 - heljanuk@gaugemaster.com

HELJAN DK

Rebslagervej 6
DK-5471 Søndersø
+45 64 89 11 88 - heljan@heljan.dk

For regular updates on HELJAN British outline models, see www.heljan.co.uk

HELJAN WARRANTY INFORMATION

This product is guaranteed for six months from the date of purchase against material/equipment defects and production issues. In case of any problems with your model, please return it to your retailer with proof of purchase for exchange or a refund.

This warranty does not cover damage caused by post-purchase modifications to the model, wear and tear or items that have been damaged by careless handling or accidental damage.